

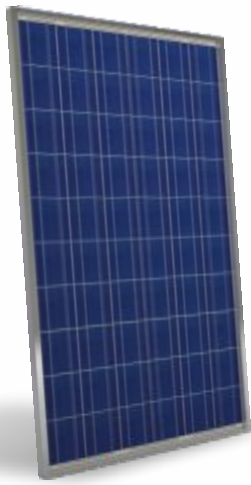


POWER GENERATION
FOR GENERATIONS

SOLAR PV MODULES

OFF-GRID / SMALL POWER

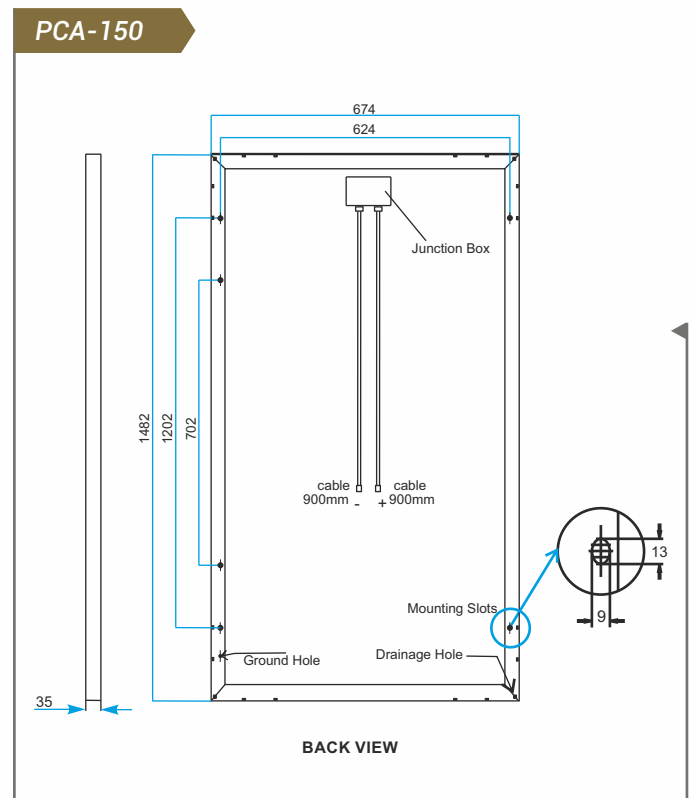
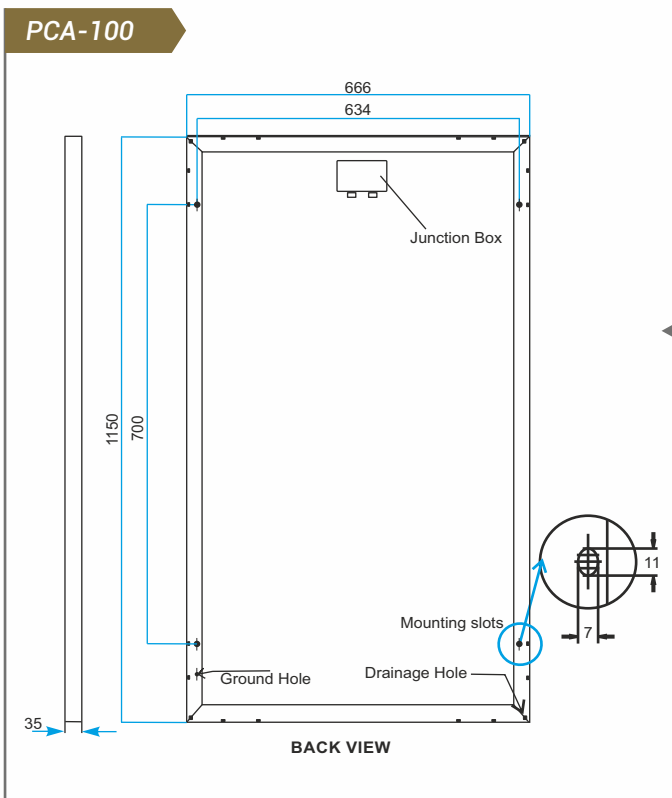
DATA SHEETS



POLY CRYSTALLINE SERIES

100, 150 Wp

Model	PCA-100	PCA-150
Type of cells	Poly-crystalline Silicon	
Wattage (Wp)	100	150
Voltage at max. power (Vmp)	17	18.4
Open Circuit Voltage (Voc)	21	22.5
Current at max. power (Imp)	5.88	8.15
Short circuit current (Isc)	6.35	8.82
Frame	Anodized Aluminium	
Front Glass	Tempered 3.2mm	
Junction box	IP67	
Dimensions (mm)	1150 x 666 x 35	1482 x 674 x 35
Weight (kg)	10	13
Operating temperature (Deg. C)	-40 to +85	
Wind speed (km/h)	120	
Maximum system voltage	1000 VDC	
NOCT	47° C	



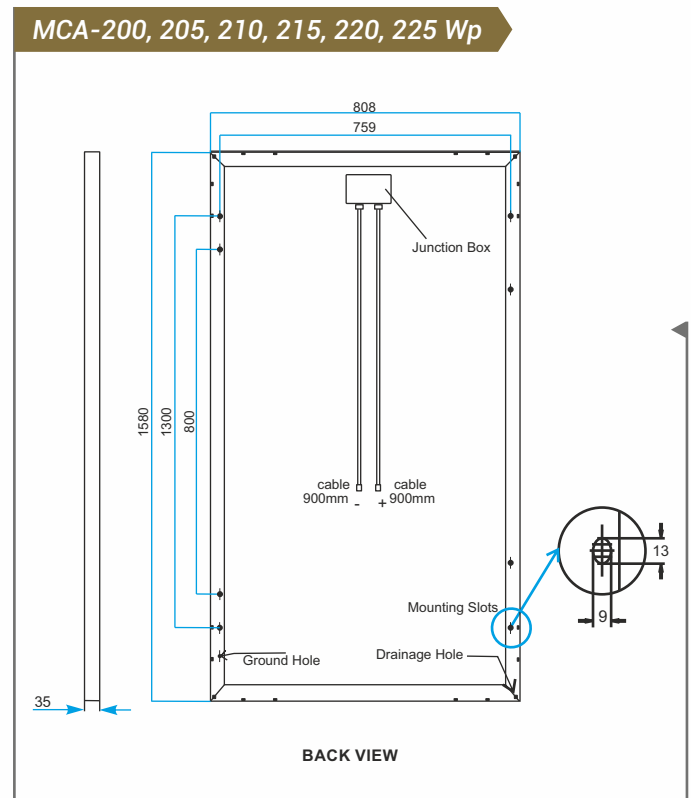
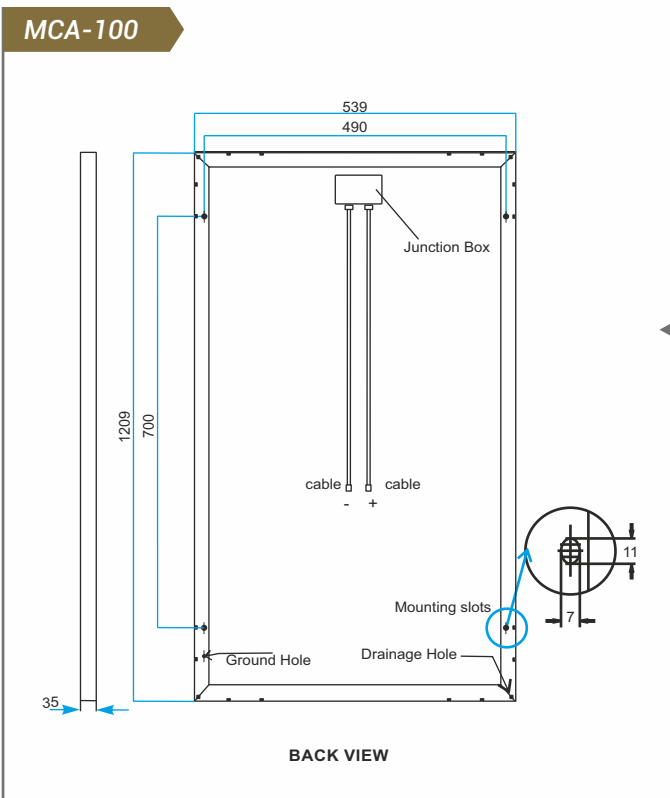
Specifications are subject to change without prior notice.



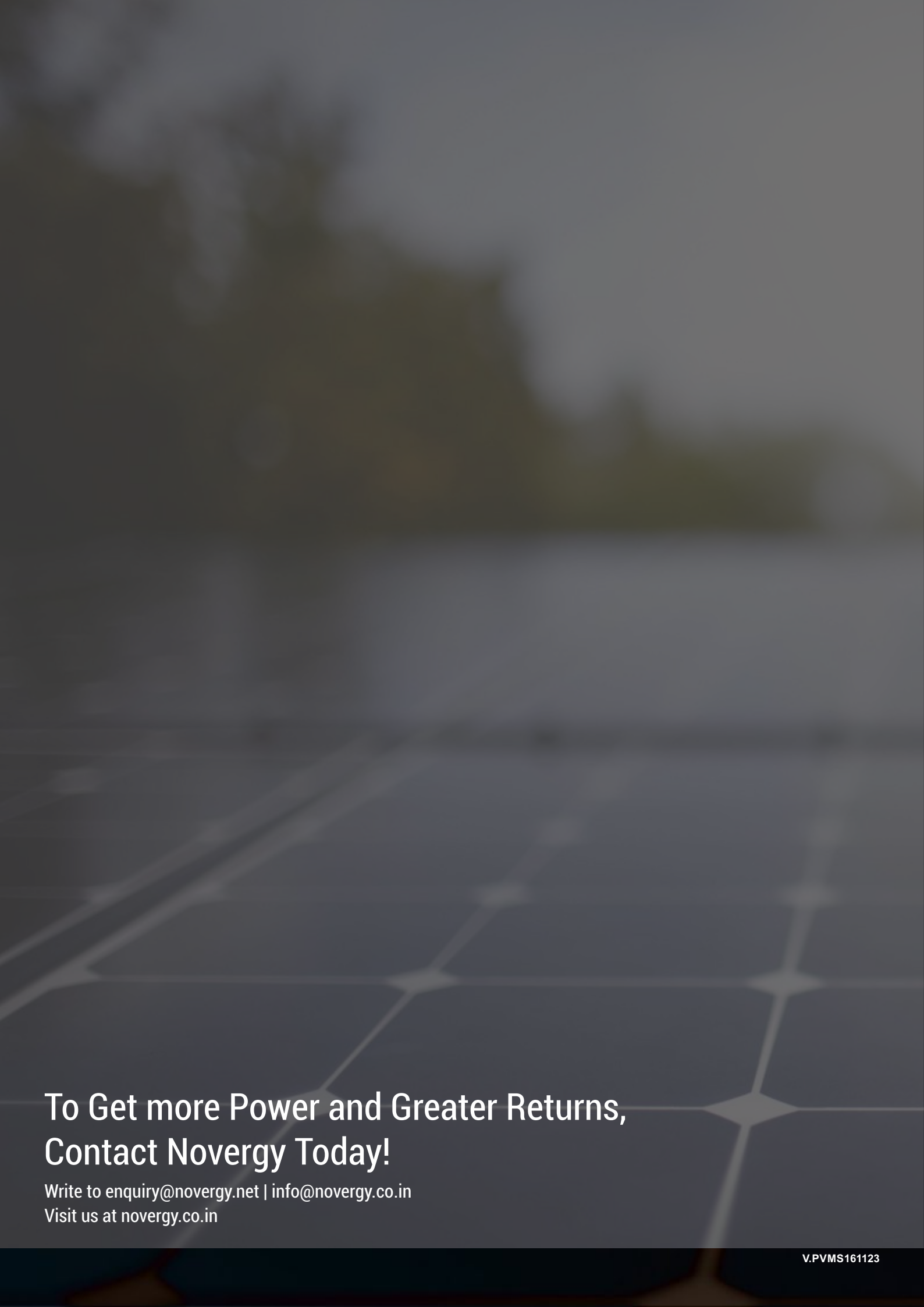
MONO CRYSTALLINE SERIES

100, 200, 205, 210, 215, 220, 225 Wp

Model	MCA 100	MCA 200	MCA 205	MCA 210	MCA 215	MCA 220	MCA 225	
Type of cells	5" Mono crystalline Silicon							
Number of cells	36	72						
Wattage (Wp)	100	200	205	210	215	220	225	
Voltage at max. power (Vmax)	18.9	37.11	37.35	37.73	38.06	38.19	38.31	
Open Circuit Voltage (Voc)	22.5	45.69	45.92	46.09	46.15	46.19	46.37	
Current at maximum power (Imax)	5.29	5.39	5.49	5.57	5.65	5.76	5.87	
Short circuit current (Isc)	5.64	5.69	5.74	5.79	5.82	6.11	6.28	
Frame	Anodized Aluminium							
Front Glass	Tempered 3.2mm							
Junction box	IP67							
Cable	4mm ² PV Cable							
Connector	MC4							
Built in Bypass Diode	Yes							
Dimensions (mm)	1209 x 539 x 35	1580 x 808 x 35						
Max Series fuse rating	15A							
Weight (kg)	7.8	16.2						
Operating temperature (Deg. C)	-40 to +85							
Application Class	Class A							
Maximum system voltage	1000 VDC							
NOCT	47° C							



Specifications are subject to change without prior notice.



To Get more Power and Greater Returns, Contact Novergy Today!

Write to enquiry@novergy.net | info@novergy.co.in
Visit us at novergy.co.in